




Vector India Conference 2019

VN89xx & Application Areas of VN89xx

Agenda

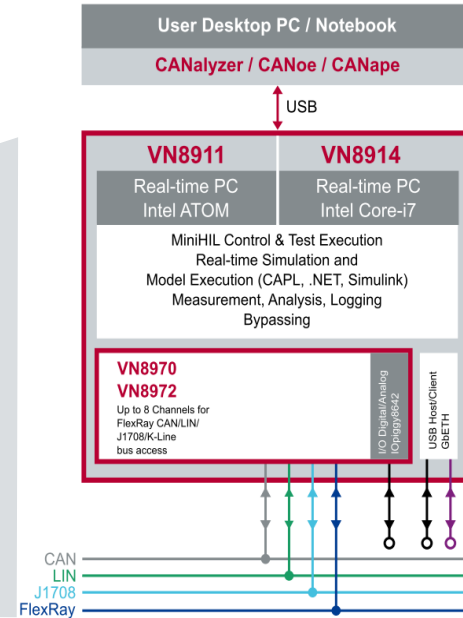
- ▶ VN89xx Overview
 - ▶ Modes of using VN89xx
 - ▶ Reprogramming of ECU
 - ▶ MiniHIL Control and Test Execution
 - ▶ Rest Bus Simulation
 - ▶ Gateway Implementation
 - ▶ Questions ??
- 

VN89xx Overview



USB/
Ethernet

VN89xx

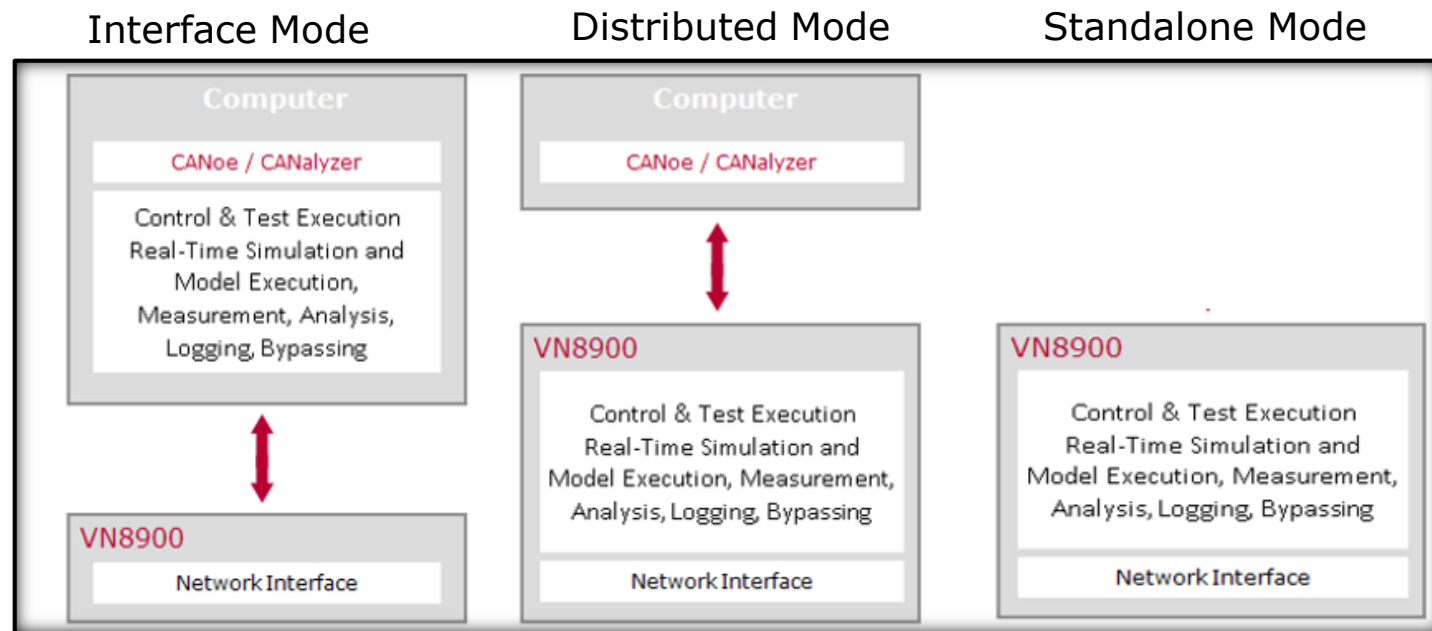


► **Application Areas of VN89xx :**

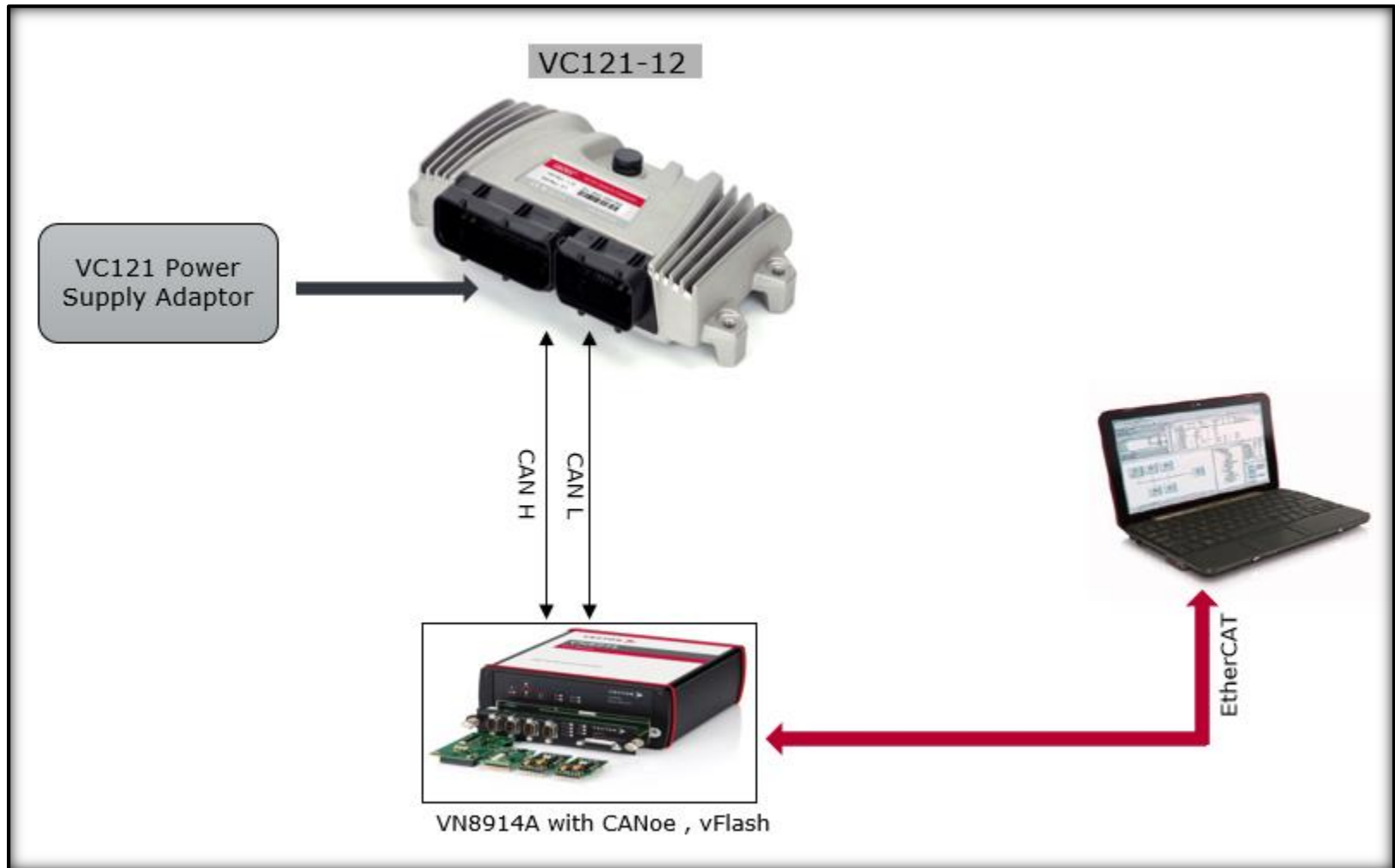
- Reprogramming of ECU
- MiniHIL Control and Test Execution
- Remaining bus simulation
- Gateway implementation

Modes of using VN89xx

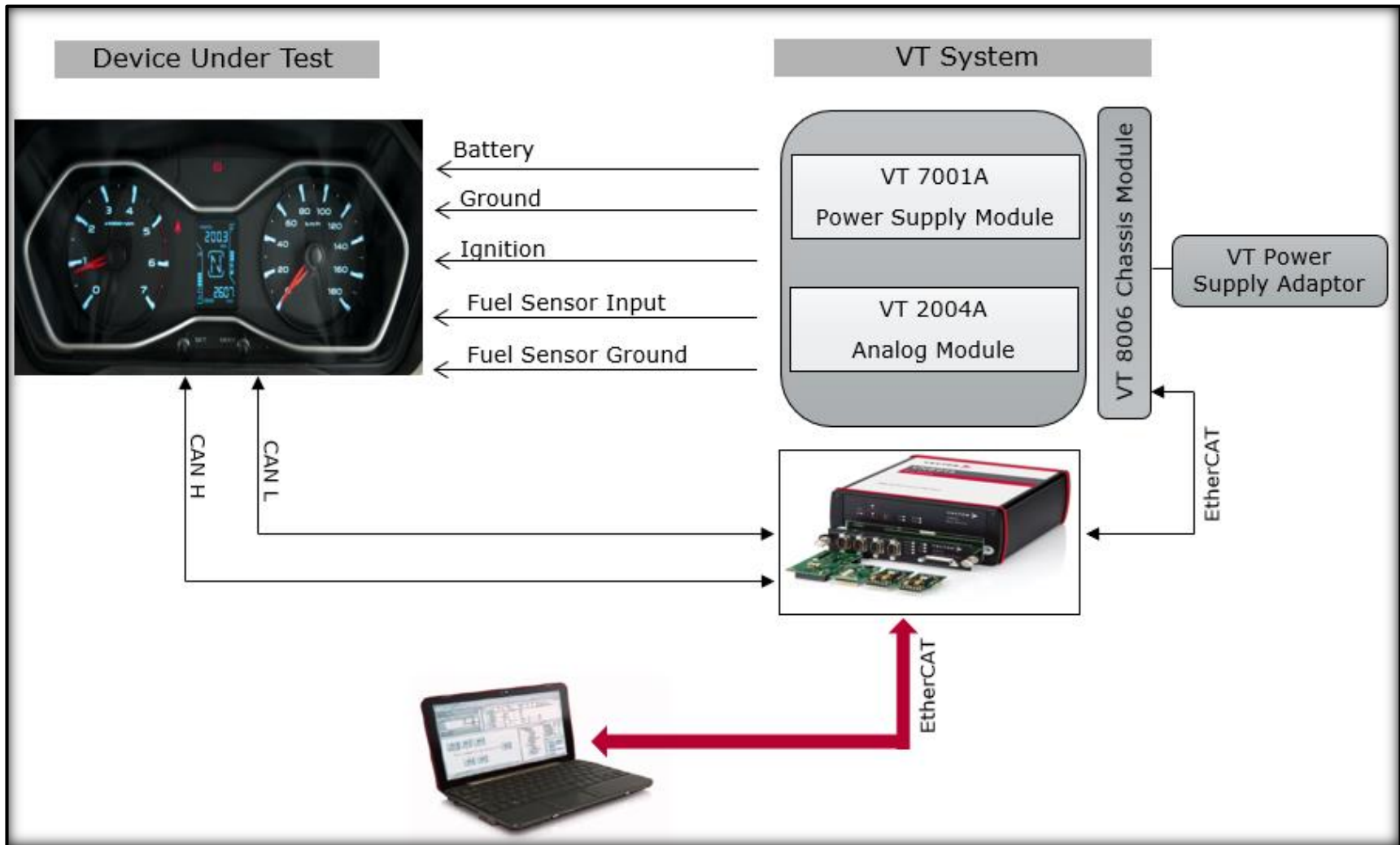
- ▶ Interface Mode
- ▶ Distributed Mode
- ▶ Standalone Mode



Reprogramming of ECU

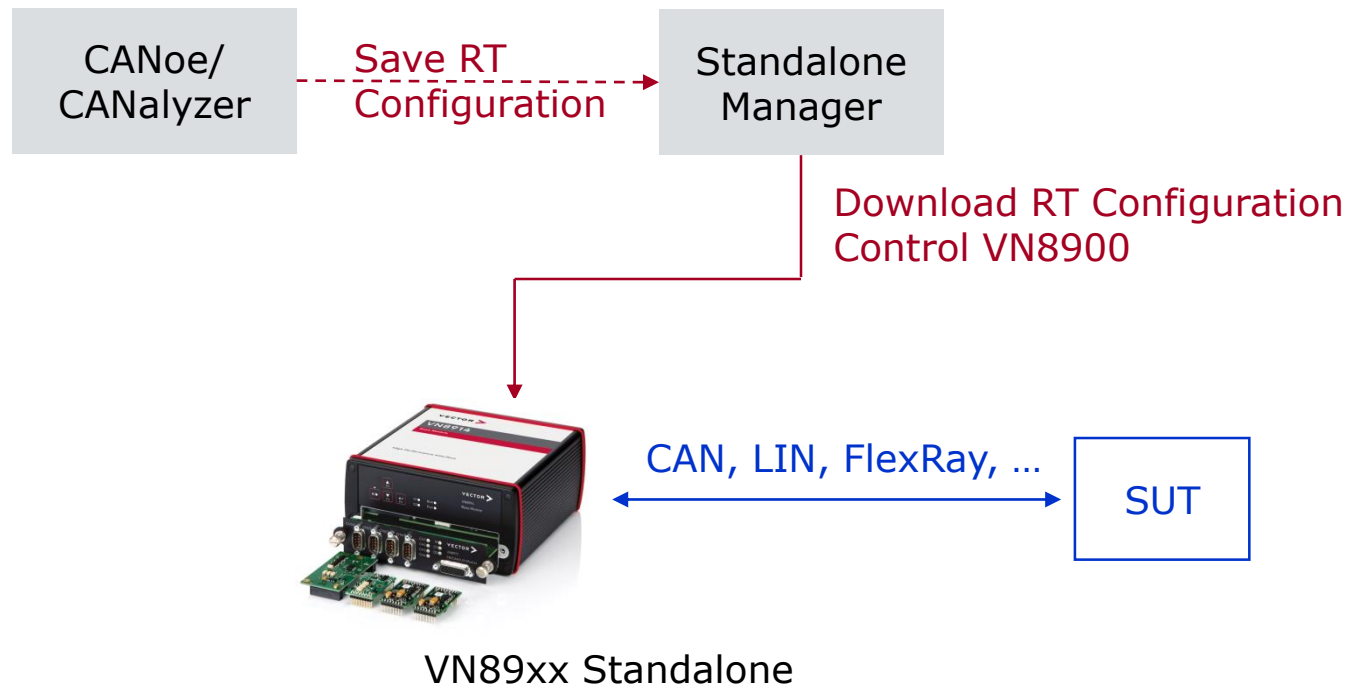


▶ MiniHIL Control and Test Execution

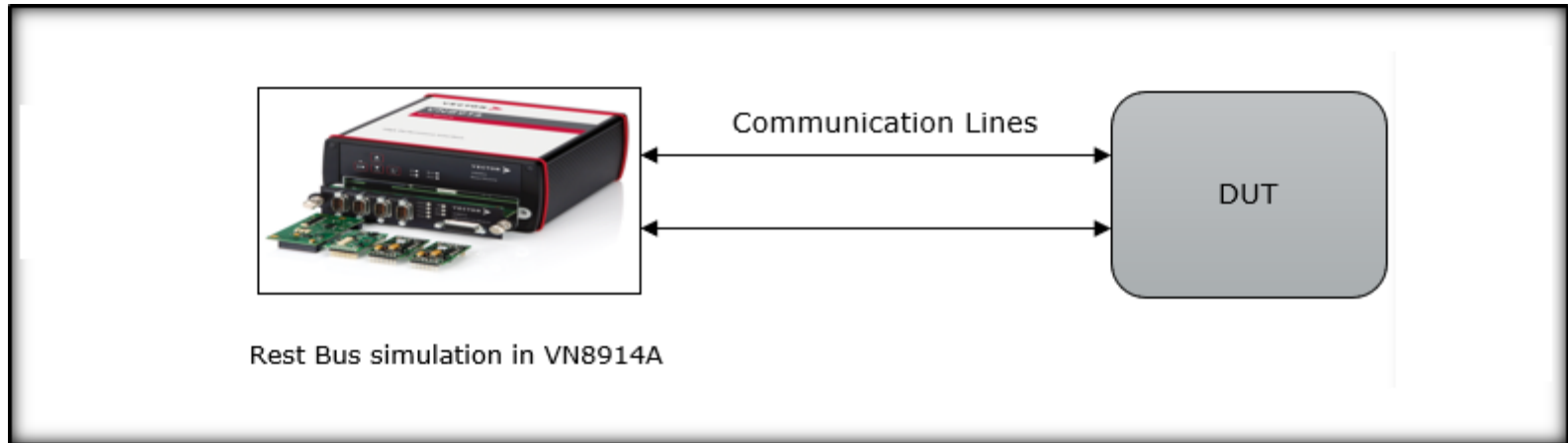


VN8914 in Standalone Mode

- ▶ Integration of VN8914 in a testing environment
 - ▶ Download prepared CANoe/CANalyzer configurations.
 - ▶ Upload/download user information (logging, user files, system state).



Rest Bus Simulation



Note : In present demo data of Rest Bus Simulation is monitored using VN1611 (CAN lines) and CANoe on PC

Gateway Implementation

▶ Customer Challenges

- ▶ Usually Gateway ECU is available at end of development cycle.
- ▶ Ensuring changes in Gateway ECU as per change in routing matrix is tedious and time consuming during integration testing.

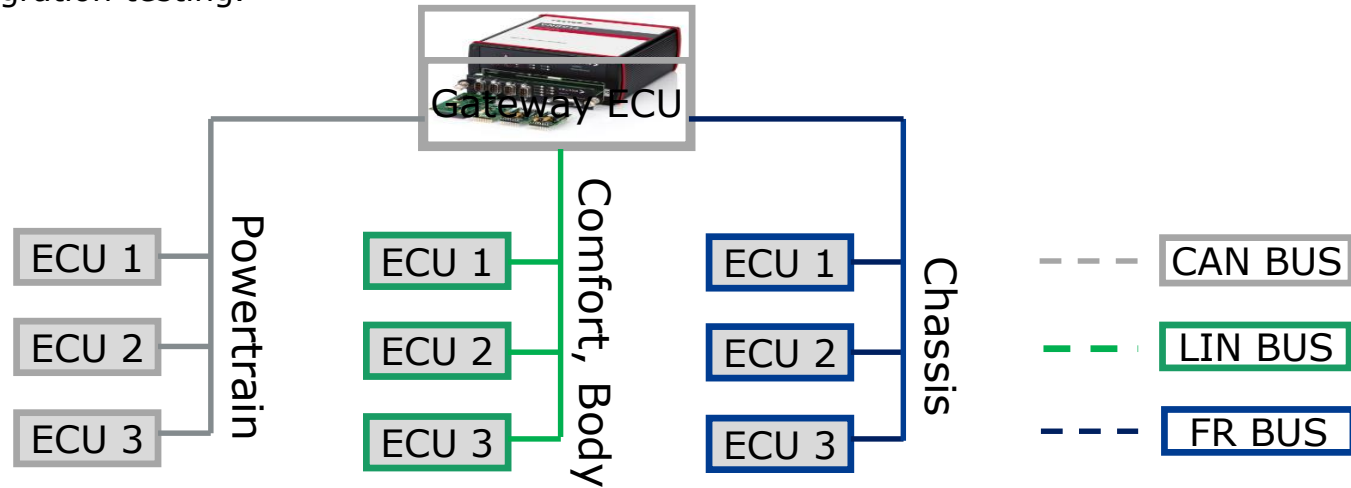


Fig 1: Gateway Concept

▶ Vector Solution

- ▶ Vector provides solutions for simulation of gateway, Rapid prototyping using VN89xx family.

Questions...????

For more information about Vector
and our products please visit

www.vector.com

Author:
Akshay Ummat
Vector India